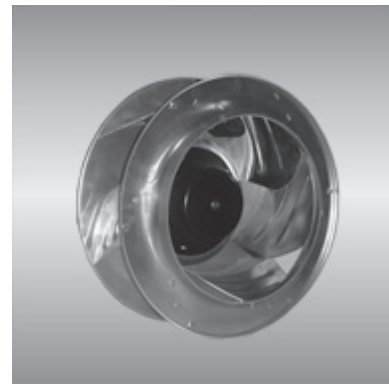


Ø 310 BG series x150mm



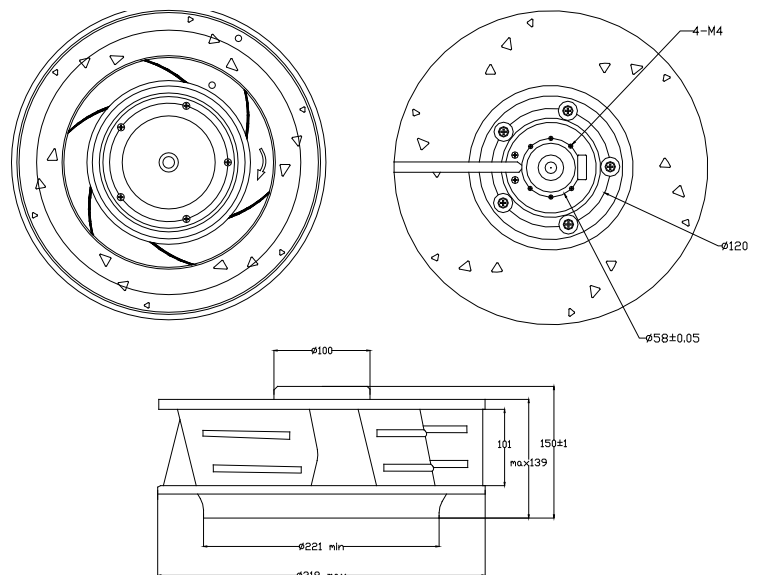
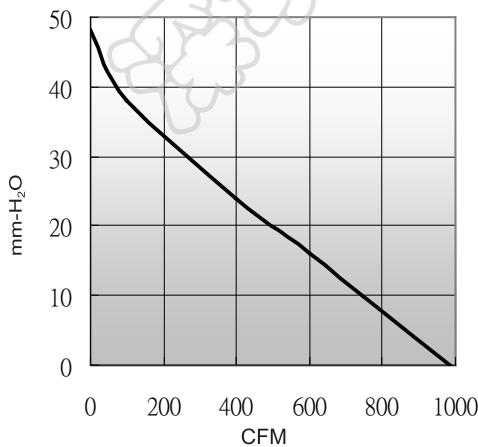
General Specifications

- Motor : 8 Poles brushless DC motor
- Frame & Impeller : Al die casting & plastic
- Storage temperature : -40°C to +75°C
- Operating temperature : -10°C to +70°C

Major Characteristic Parameters

Model	Bearing System	Rated Voltage	Operating Voltage Range	Rated Current	Rated Speed	Maximum Air Flow		Maximum Static Pressure		Sound Level	Weight
Part NO.	B / S / F	V	V	A	RPM	m ³ /min	CFM	mm-H ₂ O	In-H ₂ O	dBA	Kg
BGN310150B24H	B	24	16~28	5.2	1600	30.50	1077	47.1	1.85	57	2.88
BGN310150B48H	B	48	36~56	3.0	1600	30.50	1077	47.1	1.85	57	2.88

*Bearing system B: Two Ball Bearing F: Fluid Bearing S: Sleeve Bearing



unit:mm